

RE9 Series Downflow, Upflow Electric Furnaces

The RE9 Series furnace is designed for all sizes of manufactured and modular homes. These units incorporate reliability and low maintenance. Units may be installed free standing in a utility room or enclosed in an alcove or closet. RE9 Series furnaces are A/C ready, with multiple blower combinations for cooling requirements.



RE9D
Downflow
Electric Furnace

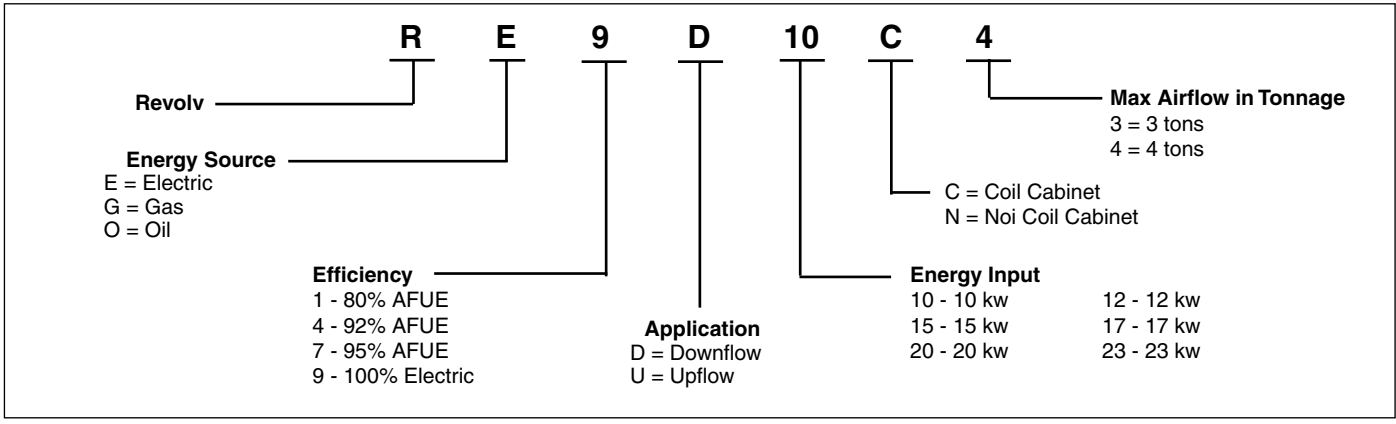


RE9U
Upflow
Electric Furnace

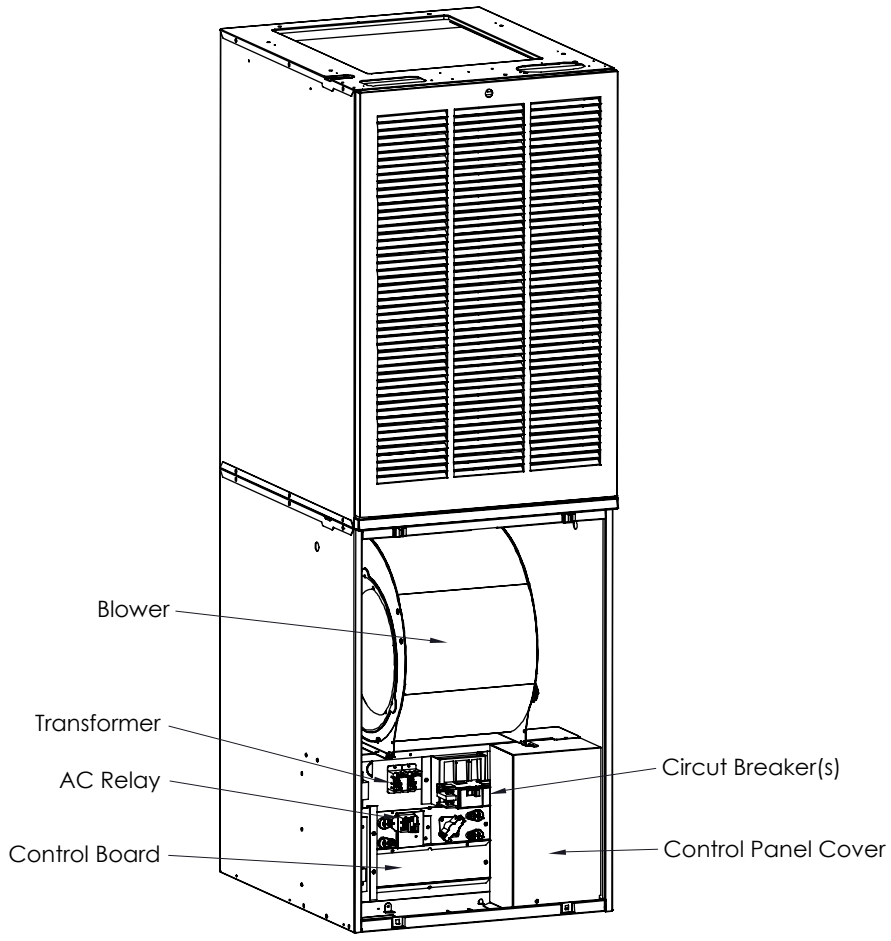
FEATURES and BENEFITS

- **Choice of Air Conditioning Options:** From 2 to 4 tons A/C ready.
- **Easy Open Door:** Secures the door firmly for transit, yet allows easy removal for access.
- **Effective Air Filter:** Universal disposable filter is readily available and simple to replace.
- **Nichrome Heating Elements:** Provide long lasting, efficient heating.
- **Appliance Quality Door:** Protects against rust and other corrosion. Baked enamel finish allows for easy cleaning.
- **Fully Insulated Cabinet:** Insures minimized heat loss and quiet operation.
- **Safety and Dependability:** Auto reset controls protect unit's electrical circuitry and helps ensure trouble free performance. Built in circuit breakers for extra safety.
- **Adaptable:** Unit can be adapted to provide dependable heating in either downflow or upflow mode.
- **Versatile:** Works with self-contained or split system air conditioners or heat pumps.
- **Heating Relays:** Provide quiet operation.
- **Control Board:** Eliminates need for additional cooling relay kit.

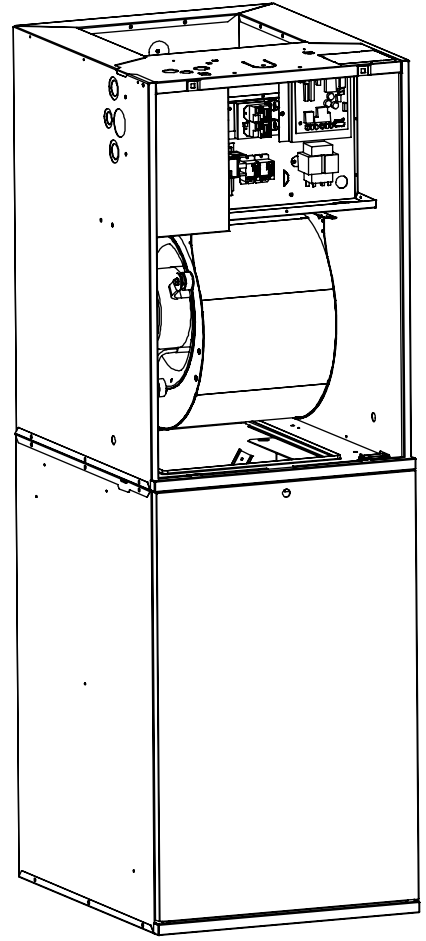
MODEL IDENTIFICATION



Furnace Parts Identification



Downflow Furnace



Upflow Furnace

UNIT SPECIFICATIONS

Electric Furnace Models	RE9					
	010	012	015	017	020	023
Rated Heating Output, Btuh (see note 1)	35,000	41,000	53,000	57,000	70,000	75,000
Watts (Total kw, Heating Elements and Blower)	10.4	12.0	15.4	16.6	20.4	22.0
Supply Voltage	240 Volts/60Hz/1-Phase					
Heating Elements, No.(Total kw)	2 (10.0)	2 (11.6)	3 (15.0)	3 (16.2)	4 (20.0)	4 (21.6)
Blower Wheel Size	10.5" Dia, 8" Wide					
Motor Speed, H.P. Rating, Amps	4 Speed, 1/3 HP, 2.9					
Test ESP, in. w.c. Max	0.3					
Optional Cooling Available with factory installed blower	2.0 - 4.0 Ton					
Optional Heat Pump Available with factory installed blower	2.0 - 4.0 Ton					
Air Filter (Standard)	18" x 20" x 1" (nominal)					
Furnace Dimensions	Width-20" (508mm), Depth-24 1/2" (623mm)					

1. Heating output rated at listed voltage. For outputs at voltages other than 240V, multiply Btuh rating by the following factors: x 0.92 (230V), x 0.84 (220V), x 0.75 (208V)

ELECTRICAL SPECIFICATIONS

Model Number RE9	Supply Circuit	Total Amperes	Maximum Over-current Rating	Minimum Circuit Ampacity
-010	Single	44.6	60	56
-012	Single	51.2	70	64
	Dual "A"	27.1	40	34
	Dual "B"	24.2	30	30
-015	Single	65.4	90	82
	Dual "A"	44.6	60	56
	Dual "B"	20.8	30	26
-017	Single	70.4	90	88
	Dual "A"	47.9	60	60
	Dual "B"	22.5	30	28
-020	Single	86.2	125	108
	Dual "A"	44.6	60	56
	Dual "B"	41.7	60	52
-023	Single	93.8	125	117
	Dual "A"	45.5	60	57
	Dual "B"	48.0	60	60

Clearances

All Models	Closet	Alcove
Front ‡	6"	18"
Back	0"	0"
Sides	0"†	0"†
Top	0"	0"
Top and Sides of Duct	0"	0"
Bottom of Duct	0"	0"

‡ Service Clearance

† For upflow application using upflow stand, 1" minimum per side.

Anticipator Settings

Furnace Model	Thermostat Anticipator Setting
010, 012	0.2
015, 017, 020, 023	0.4

AIRFLOW DATA

RE9 (010, 012, 015, 017, 020, 023) H					
Coil		High	Med High	Med Low	Low
Static (ESP) in W.C.	0.1	1559	1389	1227	923
	0.2	1506	1352	1208	906
	0.3	1460	1310	1170	880
	0.4	1401	1260	1136	845
	0.5	1333	1198	1086	805
	0.6	1251	1133	1027	757



GENERAL TERMS OF LIMITED WARRANTY

For complete details of the Limited Warranty, including applicable terms and conditions, see your local installer or contact the Style Crest® warranty department for a copy.

Before purchasing this appliance, read important energy cost and efficiency information available from your retailer. Specifications and illustrations subject to change without notice and without incurring obligations. Printed in U.S.A (12/2015)