

RG1D Series Furnaces

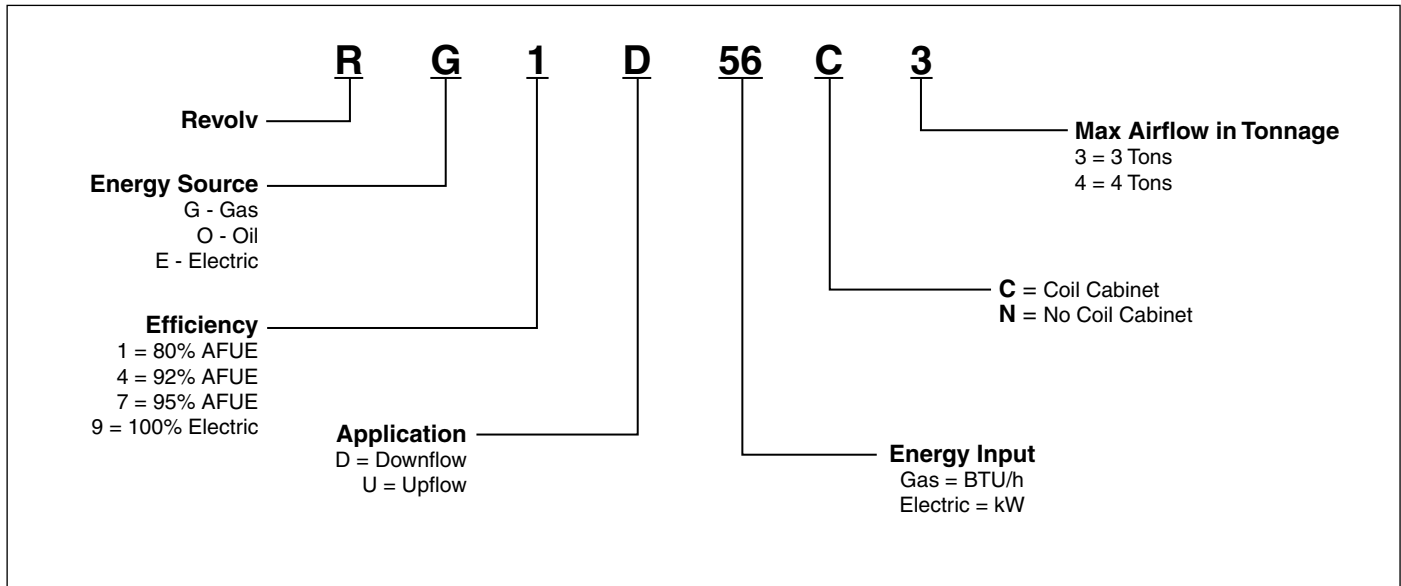
The RG1D Series furnace is designed for all sizes of manufactured and modular homes. These units incorporate high efficiency, reliability, and low maintenance. Units may be installed free standing in a utility room or enclosed in an alcove or closet. RG1D Series furnaces are A/C ready, with or without coil cavity box, and many burner options.



FEATURES and BENEFITS

- **Sealed Combustion System:** Unique cool-jack system exhausts combustion gases directly outdoors and draws in 100% outside air for the burner.
- **Easy Open Pawl Latch:** Secures the door firmly for transit, yet allows easy removal for access.
- **Choice of Air Conditioning Options:** From 2 to 4 tons A/C ready.
- **Large, Effective Air Filter:** Room air is cleaner with this permanent washable filter.
- **High Efficiency Drum Heat Exchanger:** Delivers optimum heat transfer with low air resistance.
- **Appliance Quality Door:** Protects against rust and other corrosion. Baked enamel finish allows for easy cleaning.
- **Fully Insulated Cabinet:** Insures minimized heat loss and quiet operation.
- **Reliable Burner:** With uniform flame pattern extends life of heat exchanger.

MODEL IDENTIFICATION



SPECIFICATIONS

Furnace Model No	Output MBtu/h	Orifice No		E.S.P. In WC	Pilot Burner	Ignitor Direct	Comb. Blower	Motor Hp	Motor FLA	A/C Ready Tons	AFUE % Nat / LP	Shipping Weight	
		Nat.	LP									A Cabinet	B Cabinet
RG1D56*3	46	29	45	0.3		x	x	1/4	6	3	80	152	167
RG1D56*4	46	29	45	0.3		x	x	1/2	7.9	4	80	156	171
RG1D70*3	57	24	42	0.3		x	x	1/4	6	3	80	153	168
RG1D70*4	57	24	42	0.3		x	x	1/2	7.9	4	80	157	172
RG1D77*3	62	21	40	0.3		x	x	1/4	6	3	80	149	164
RG1D77*4	62	21	40	0.3		x	x	1/2	7.9	4	80	156	171
RG1D90*3	72	17	36	0.3		x	x	1/4	6	3	80	151	166
RG1D90*4	72	17	36	0.3		x	x	1/2	7.9	4	80	156	171

Electrical Supply - 120 volts, 60HZ, 1 Ph.

Fuse or Breaker - 15 amps

Temperature Rise - 45° to 75°F

Gas Connection - 1/2" NFPT

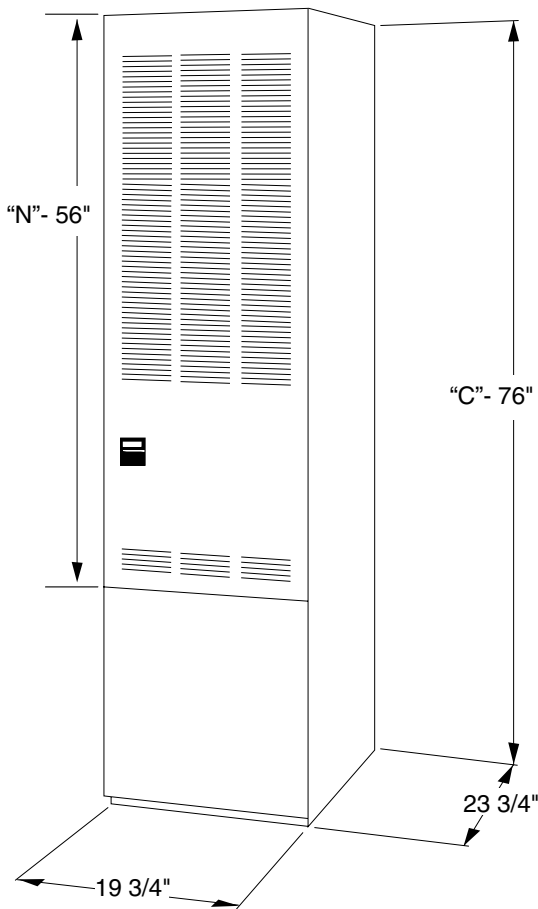
High Altitude - See Table 11 in the Installation Instructions for elevations above 2,000 feet.

Thermostat Circuit - 24 volts, 60HZ, 30 vac

Normal Anticipator Setting - 0.4

Manifold Pressure - Natural Gas: 3.5" w.c. LP Gas: 10" w.c.

DIMENSIONS



"N" Model without Coil Cabinet
 "C" Model with Coil Cabinet

CLEARANCES

ALL MODELS	CLOSET	ALCOVE
Front	6"	18"
Back	0"	0"
Sides	0"	0"
Roof Jack	0"	0"
Top	6"	6"
Top and Sides of Duct	0"	0"
Bottom of Duct		
C Cabinet	0"	0"
N Cabinet (w/coil box)	0"	0"
N Cabinet (w/o coil box)	1/4"	1/4"

BLOWER PERFORMANCE

Model No.	HP/wheel	Speed	ESP (" WC)	CFM WITHOUT COIL				CFM WITH COIL			
				Low	Med-Lo	Med-Hi	High	Low	Med-Lo	Med-Hi	High
RG1D56*3 RG1D70*3 RG1D77*3 RG1D90*3	1/4 HP 10 x 8	3	0.1		740	950	1210		730	930	1140
			0.2		730	940	1190		720	920	1110
			0.3		700	920	1140		690	880	1050
			0.4		670	880	1090		660	840	990
			0.5		640	840	1030		620	790	930
			0.6		610	780	970		580	740	870
RG1D56*4 RG1D70*4 RG1D77*4 RG1D90*4	1/2 HP 11 x 8	4	0.1	890	1070	1270	1480	880	1050	1220	1340
			0.2	880	1060	1260	1460	870	1040	1210	1330
			0.3	860	1020	1220	1400	850	1000	1160	1270
			0.4	840	1000	1180	1350	820	980	1170	1160
			0.5	810	960	1120	1280	800	940	1070	1160
			0.6	760	920	1080	1220	750	890	1010	1090

ACCESSORIES

Description	Part Number
Automatic Cavity Damper	901083
Ceiling Rings (2 piece adjustable)	902521
Transit Vent Kit 12 / carton	903838

Sloped Roof Flashings	Part Number
2.5" in 12" - 4 / carton	903893
3" in 12" - 4 / carton	903894
4" in 12" - 2 / carton	903895

Ventilation Kits	Part Number
Soffit Air Inlet (for VentilAire III only)	917201A
VentilAire III - Sloped 3/12	914098B
VentilAire IV - Sloped 3/12	914229B

Roof Jack	Part Number
FAW1523-0A	903658
SAW2135-2A	903662
SAW2747-2A	903663
SAW3563-2A	903664
SAW5195-2A	920638
SAW2747-4A	903678A
SAW3563-4A	903665A
SAW5195-4A	903666A

Plenum Connectors	Part Number
11.25 x 13.50 x 0.88 12 / carton	901987A
11.25 x 13.50 x 2.00 12 / carton	901988A
11.25 x 13.50 x 4.25 6 / carton	901989A
11.25 x 13.50 x 6.25 6 / carton	901990A
11.25 x 13.50 x 8.25 4 / carton	901991A
11.25 x 13.50 x 10.25 3 / carton	901992A
11.25 x 13.50 x 12.25 3 / carton	901993A
11.25 x 13.50 x 6.25 24 / carton	902681A

Flue Extensions	Part Number
EI10A-5	901935
EI18A-5	903107
EI16A-5	901937



GENERAL TERMS OF LIMITED WARRANTY

For complete details of the Limited Warranty, including applicable terms and conditions, see your local installer or contact the Style Crest® warranty department for a copy.

Before purchasing this appliance, read important energy cost and efficiency information available from your retailer. Specifications and illustrations subject to change without notice and without incurring obligations. Printed in U.S.A (07/2016)