



## Revolv™ Air Conditioners



### SPLIT SYSTEM 13 S.E.E.R. R410A AIR CONDITIONERS

Compressor is protected from high pressure and temperature for durability

High-pressure relief valve and solid core filter drier extends life of compressor

Filter drier provides extra protection to the refrigerant system from moisture, dirt and other contaminants

Weight reduction typically 20-30%

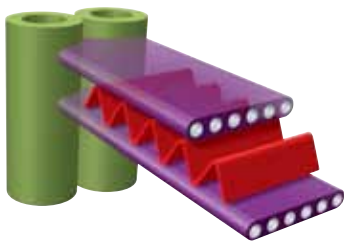
Reduced refrigerant charge up to 50% less refrigerant than similar models

Improved air-flow reduces needed fan power/noise

Improved durability

Improved serviceability provides for easier to clean than spiny-fin or tube-fin designs

SmartComponents™



**MICRO-CHANNEL CONDENSERS**



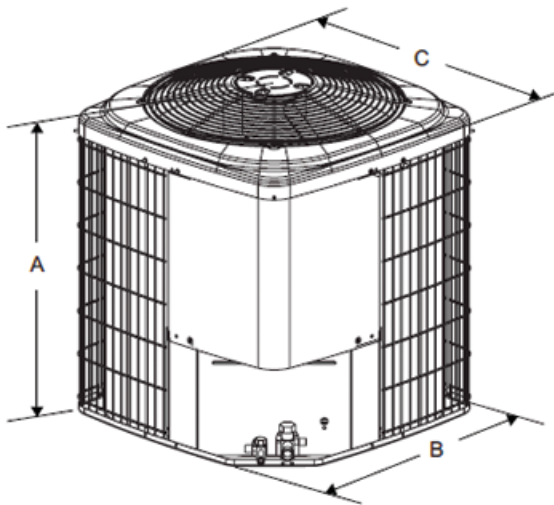
# Revolv™ Air Conditioners

Nominal Ton Capacity	Condenser SKU	Micro-Channel Condenser-Description	Weight Lbs.	Unit Dimensions LxWxH	Pad Part Number	Lineset Sizes	Matching Indoor Coil	Matching Indoor Coil "M" SERIES
2.0	14C41324	Condenser-AC QC 2.0 T 13 SEER	97	24"x24"x28"	1124242D	3/8" x 3/4"	1830Q4A	1830M4A
2.5	14C41330	Condenser-AC QC 2.5 T 13 SEER	129	24"x24"x28"	1124242D	3/8" x 3/4"	1830Q4A	1830M4A
3.0	14C41336	Condenser-AC QC 3.0 T 13 SEER	131	29"x29"x28"	1130302D	3/8" x 3/4"	1836Q4A	1836M4A
3.5	14C41342	Condenser-AC QC 3.5 T 13 SEER	173	29"x29"x30"	1130302D	3/8" x 7/8"	1843Q4A	1843M4A
4.0	14C41348	Condenser-AC QC 4.0 T 13 SEER	173	29"x29"x30"	1130302D	3/8" x 7/8"	1854Q4A	1854M4A
5.0	14C41360	Condenser-AC QC 5.0 T 13 SEER	195	33 <sup>5</sup> / <sub>8</sub> "x 33 <sup>5</sup> / <sub>8</sub> "x 32"	1130302D	3/8" x 7/8"	1854Q4A 1856Q4A**	1854M4A 1856M4A**

NOTE: REFER TO AHRI LISTINGS FOR ACTUAL APPLICATIONS AND CAPACITIES

\*\*Extended Height

Note: 6918.5011 Time Delay Relay Required on ALL Manufactured Housing Electric and Oil Furnaces  
See Furnace Application Guides for Blower Usage



All dimensions are in inches. They are subject to change without notice. Certified dimensions will be provided upon request.

Unit Model	Dimensions			Refrigerant Connection Size	
	A <sup>1</sup>	B	C	Liquid	Vapor
2.0 ton	28"	24"	24"	3/8"	3/4"
2.5 ton	28"	24"	24"		
3.0 ton	28"	29"	29"		
3.5 ton	30"	29"	29"	7/8"	
4.0 ton	30"	29"	29"		
5.0 ton	32"	34"	34"		

<sup>1</sup> Including Fan Guard



Style Crest, Inc.  
2450 Enterprise St.  
Fremont, Ohio 43420  
800.945.4440  
www.stylecrestproducts.com

Printed in U.S.A.



© Copyright 2012 3/12 306518141R REVOLV™ AC ACCUCHARGE CONDENSORS-2PAGE