



Revolv™ E.B. Series Electric Furnaces



Zero clearance feature allows the EBxxD series to be installed where space is at a premium

Available in a wide range of heat capacities (10KW-23KW) to match the needs of any home

Heating package includes specifically designed, long lasting nickel/chrome heat elements

Accessory blower kit available for larger A/C and HP applications

As defined by the U.S. Department of Energy, these furnaces are 100% efficient when used in specified applications

Easily converted to upflow applications

Key Features

- A** Universal throw-away filter cleans the air, and is easy to replace
- B** Built-in coil cabinet is design-matched to work in conjunction with Revolv™ heat pumps and air conditioners, providing ease of installation and highly efficient operating performance
- C** Sound absorbing insulation for quieter operation
- D** Air conditioner and heat pump ready, all models have a multi-speed blower capable of handling cooling and heat pump loads
- E** Equipped with built-in circuit breakers instead of fuses

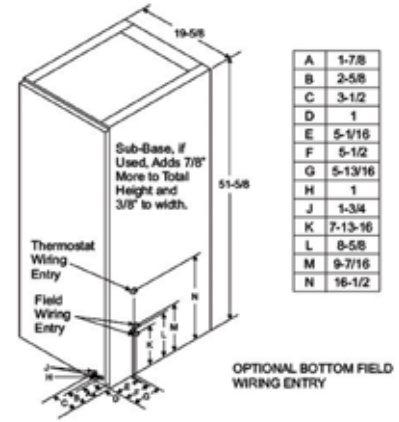


Revolv™ E.B. Series Electric Furnaces

SUPPLY CIRCUIT WIRE SIZES - 240 VOLT, 60 CYCLE, SINGLE PHASE - FROM N.E.C. TABLE 310-16								
MODELS	EB23D	EB20D	EB17D	EB15D	EB12D	EB10D		
Single Branch Circuit Service	2 Leads + 1 Ground CKT #1	2 Leads + 1 Ground CKT #1	2 Leads + 1 Ground CKT #1	2 Leads + 1 Ground CKT #1	2 Leads + 1 Ground CKT #1	2 Leads + 1 Ground CKT #1		
Nominal Circuit Load - AMPS	94.0	84.0	70.7	64.1	50.7	44.0		
Minimum Wire Size (90°C)	#2	#3	#4	#4	#6	#8		
Minimum Wire Size (75°C)	#1	#2	#3	#4	#6	#6		
Minimum Wire Size (60°C)	#0	#1	#2	#3	#4	#6		
Ground Wire Size	#6	#6	#8	#8	#8	#10		
Max. Fuse (or C.B.) - AMPS	125	110	90	90	70	60		
Dual Branch Circuit Service	4 Leads + 2 Ground CKT #1 CKT #2		4 Leads + 2 Ground CKT #1 CKT #2		4 Leads + 2 Ground CKT #1 CKT #2		4 Leads + 2 Ground CKT #1 CKT #2	
Branch Circuit Load - AMPS	47.3	46.7	44.0	40.0	47.3	44.0	20.1	
Branch Circuit Min. Ampacity	59.2	58.4	55.0	50.0	59.2	29.3	55.0	25.2
Minimum Wire Size (90°C)	#6	#6	#8	#8	#6	#10	#8	#10
Minimum Wire Size (75°C)	#6	#6	#6	#8	#6	#10	#6	#10
Minimum Wire Size (60°C)	#4	#4	#6	#6	#4	#10	#6	#10
Ground Wire Size ¹	#10	#10	#10	#10	#10	#10	#10	#10
Max. Fuse (or C.B.) - AMPS	60	60	60	50	60	30	60	30

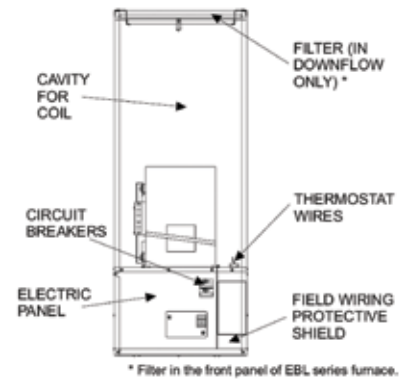
NOT APPROVED

¹ Requires Jumper Bars (P/N 3500-378P) - Dual Supply for U.S. Only. ² Refer to N.E.C. Table 250-95 for non-sheathed conductor ground wire.



ELECTRICAL DATA							
MODEL NUMBER		EB23D	EB20D	EB17D	EB15D	EB12D	EB10D
D.O.E. OUTPUT CAPACITY	24 VAC 60 Hz 1 PHASE	BTU 77,000	67,000	56,000	51,000	39,000	34,000
		KW 22.6	19.6	16.4	15.0	11.4	10.0
OUTPUT CAPACITY	230 VAC 60Hz. 1 PHASE	BTU 71,000	61,000	52,000	47,000	36,000	31,000
		KW 20.8	17.9	15.2	13.8	10.6	9.1
	220 VAC 60Hz. 1 PHASE	BTU 65,000	57,000	48,000	43,000	33,000	29,000
		KW 19.1	16.7	14.1	12.6	9.7	8.5
ELEMENT CAPACITY @ 240 VAC		KW 21.6	19.2	16.0	14.4	11.2	9.6
		AMPS 90.0	80.0	66.7	60.0	46.7	40.0
MOTOR AMPS @ 240V, 4.0 MAXIMUM							
CIRCUIT LOAD AMPS @ 240 V	CKT 1	47.3	44.0	47.3	44.0	50.7*	44.0*
	CKT 2	46.7	40.0	23.4	20.0	--	--
FILTER SIZE 16 x 20 x 1							
SHIPPING WEIGHTS		86	84	86	85	84	83

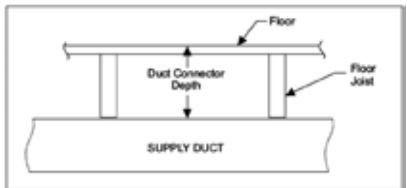
* Approved for Single Branch Circuit Service Only. Casing or Cabinet must be grounded in accordance with N.E.C. or other applicable codes.



EB SERIES BLOWER PERFORMANCE										
Static Pressure (Inches of WC)		.0	.1	.2	.3	.4	.5	.6	.7	.8
Low Speed Heating Speed Models EB10, 12, 15	CFM (STD. Air)	945	936	936	924	915	889	870	813	705
Medium Speed Heating Speed Models EB17, 20, 23	CFM (STD. Air)	1160	1145	1145	1140	1129	1109	1073	1027	935
Medium High with A-Coil in place	CFM (STD. Air)	1340	1317	1290	1252	1208	1158	1095	1021	876
High with A-Coil in place	CFM (STD. Air)	1573	1534	1490	1435	1369	1309	1237	1135	1019

DUCT CONNECTOR FOR ELECTRIC FURNACES		
FLOOR TO DUCT DIMENSIONS	FINGERED STYLE	SCREW TAB STYLE
1"	7990-6211	7990-6011
2"	7990-6221	7990-6021
3"	↑↓	↑↓
4"	7990-6241	7990-6041
5"	↑↓	↑↓
6"	7990-6261	7990-6061
7"	7990-6271	7990-6071
8"	7990-6281	7990-6081
9"	↑↓	↑↓
10"	7990-6301	7990-6101
11"	↑↓	↑↓
12"	7990-6321	7990-6121
13"	↑↑	↑↑

↑↓ Indicates connector above or below could be used depending on tolerance in floor to duct dimension.
 ↑↑ Indicates connector above could be used depending on tolerance in floor to duct dimension.
 ↓↓ Indicates connector below could be used depending on tolerance in floor to duct dimension.



Style Crest, Inc.
 2450 Enterprise St.
 Fremont, Ohio 43420
 800.945.4440
 www.stylecrestproducts.com

Printed in U.S.A.



© Copyright 2012 3/12 3064608342R REVOLV™ E.B. FURNACE-2PAGE